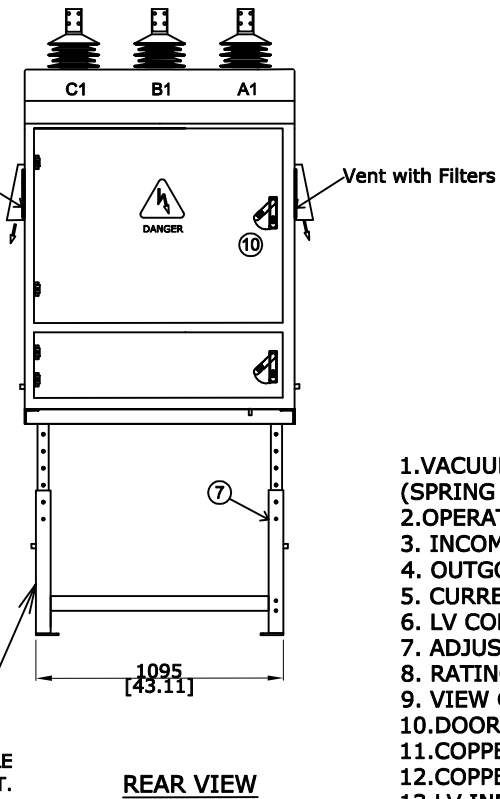


"MAXIMUM ADJUSTABLE HEIGHT OF ONE FOOT. ADJUSTMENTS CAN BE MADE 3 INCH DECREMENTS."



- 1.VACUUM CIRCUIT BREAKER (SPRING MECHANISM)
- 2.OPERATING MECHANISM
3. INCOMING (1200A)
4. OUTGOING (1200A)
5. CURRENT TRANSFORMER (C-400)
6. LV COMPARTMENT
7. ADJUSTABLE FRAME SUPPORT
8. RATING NAME PLATE
9. VIEW GLASS
- 10.DOOR HANDLE
- 11.COPPER FLAT
- 12.COPPER FLEXIBLE
- 13.LV INNER DOOR
- 14.CONTROL CABLE ENTRY
- 15.BUS BOOTS

WEIGHT : 1800 POUNDS APPROX

This drawing is the exclusive property of NBS and is to be returned immediately upon request. The information, designs, etc. shown herein are confidential and are not to be divulged or submitted to others, nor copied.

National Breaker Services, LLC

140 TURNPIKE DR
MIDDLEBURY CT 06762

PART TOLERANCE		ASSEMBLY TOLERANCE		DRAWN BY: RV	DATE: 27/05/2023	USED ON:	SHEET 1 of 1	TITLE:
FRACTIONS	± 1/32	FRACTIONS	± 1/4	CHECKED BY: AH	DATE: 27/05/2023		SCALE: NTS	GENERAL ARRANGEMENT DWG FOR
.XX	± .030"	.XX	± .125"	PROJECT ENG:	DATE:	PROJECT NO.:	DWG NO./JOB NO.:	15.5kv, 1200A, 25.0kA FREE STANDING BREAKER
ANGLE	± 2°-0"	UNLESS OTHERWISE SPECIFIED		HIS FILE NO.:	P.O. NO.:	SIZE: B	REV: R4	CUSTOMER: CONSUMER ENERGY
CONCENTRICITY	± .015 TIR	ALL DIMENSIONS ARE IN INCHES REMOVE ALL SURFS & SWAMP EDGES						